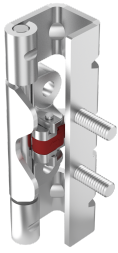


CONCEALED LIFT OFF CLICK HINGE STANDARD 120°



Concealed hinge with a patented function that enables the door part to be engaged to, or separated from the frame part with a "click".

Easy door assembly by placing the door in the frame parts and then closing the door. The door part and frame part snap together. Secure the hinge by latching the red safety cam.

The frame part is equipped with M6 studs for assembly. The door part is mounted on weld-on studs. Universal right and left mounting.



MATERIAL

Door part: Zinc die cast, zinc plated

Frame part: Steel, zinc plated

Pin: Stainless steel 303

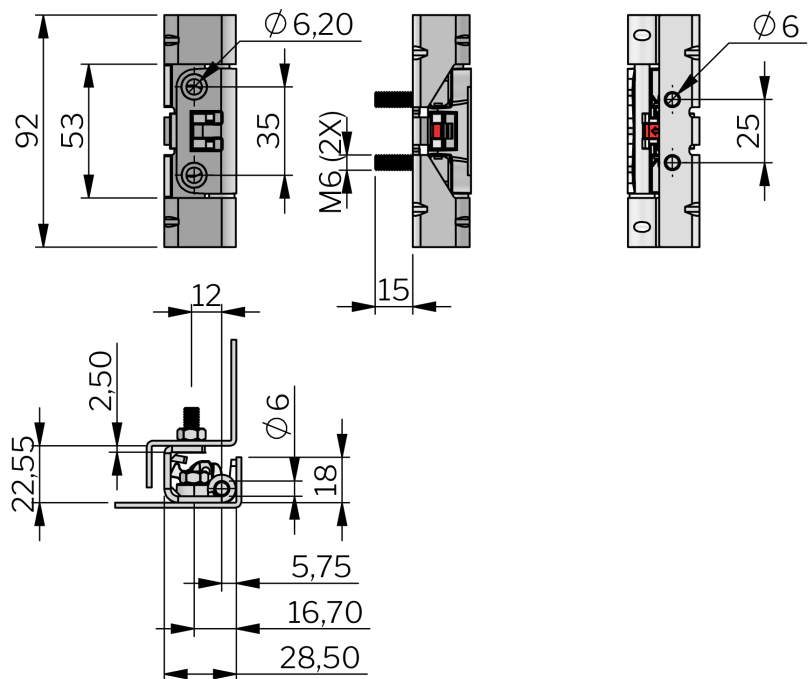
Safety cam: Glass fibre reinforced Polyamide (PA6GF30)

Washer: Brass, nickel plated

RELATED PRODUCTS

Similar products: 3-094, 3-095, 3-096, 3-091

Use the Index Code at industrilas.com



P/N	Description
312125	Door part C/C fixed 35 mm
312126	Door part C/C adjustable 35-37 mm

Industrilas
— When access counts —